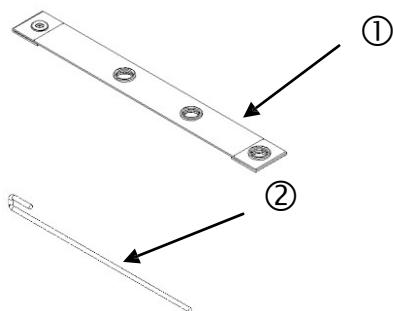


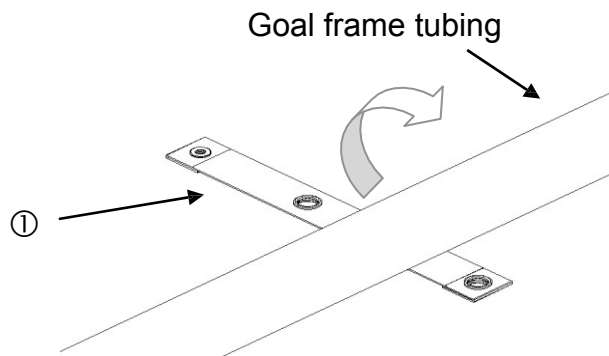
Operating/assembly instructions for 'Flexi' goal anchoring

Thank you very much for choosing a Sport-Thieme product. We want to make sure that you can enjoy this product, so here is some important advice for your safety as well as for the use and maintenance of the equipment.

Please read these instructions carefully before you assemble and use the equipment:



III. 1: 'Flexi' goal anchoring



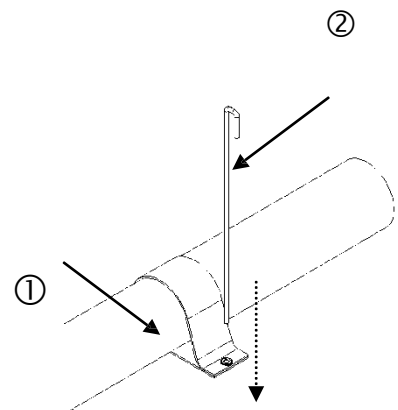
III. 2: 'Flexi' belt strap with goal frame tubing

Included:

<u>Pos.</u>	<u>Description</u>
1	4 x - 'Flexi' belt strap
2	4 x ground anchor

Assembly / instruction manual

1. Place the 'Flexi' straps flat under the goal's ground tubing (ill. 2). Ensure that the ground anchors' holes are on the outside!



III. 3: 'Flexi' belt strap with ground anchor

2. Wrap the 'Flexi' belt strap around the tubing and insert the ground anchor into the holes that are now on top of each other (ill. 2 and 3). Push them into the ground, using a hammer if necessary.

Safety advice

Ensure that the ground gives sufficient support for the anchors! If the ground is too loose (e.g. sand etc.) the ground anchors may loosen.

Caution: Do not overload or climb the equipment!



Maintenance and care instructions

Instructions:

Carry out a visual check at regular intervals. Due to our continuous quality control of the products, technical changes may occur which may lead to slight deviations in the instructions.

Check the equipment for possible damage and replace worn-out parts.

We are happy to answer any questions you may have.

Your **Sport-Thieme** Team