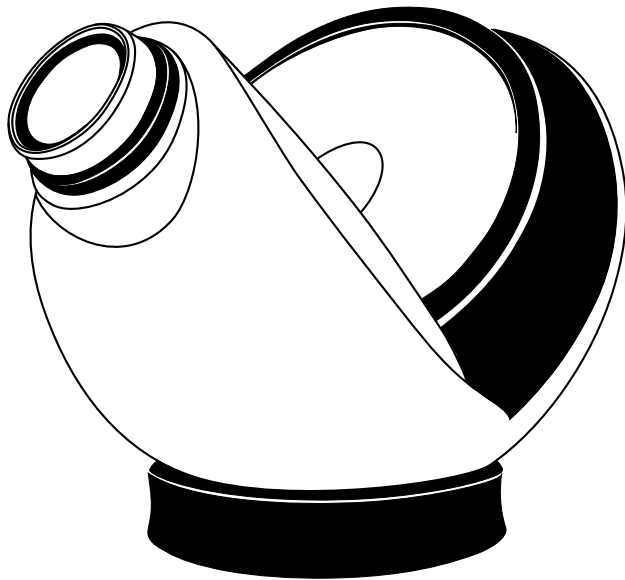


[OPTI] Aura

Product Manual



Contents



Product Overview	1
Getting Started	2
Mounting the Projector.....	2
Inserting the Effect Wheel	3
Focusing the Image	6
Cleaning the Focussing Lens.....	6
Operating the Projector.....	7
Switching On/Switching Off	7
Dimming the Image.....	8
Using the Timer.....	8
Using the App.....	9
Safety Instructions	12
Additional Accessories	13
Guarantee	13



Product Overview

The [OPTI] Aura LED is an ideal home sensory projector with Wi-Fi Connectivity, a dimmer function and off timer capabilities.

Packed Box Contents:

- 1x [OPTI] Aura LED Projector
- 1x External Power Supply  E149474 or  BSEN61558
- 1x Effect Wheel*
- 1x Table Stand
- 1x Wall Mount (with fixtures and fittings)

Power Rating : 6W

Operating Voltage : 9V AC

Input Voltage & Current: 240V or 115V, 7.5 mA

Product Size: 20 x 20 x 20 cm / 8" x 8" x 8"

Product Weight: 889g / 31 oz (2 lbs)

Packed Product Size: 30 x 30 x 26 cm / 12" x 12" x 10"

Packed Product Weight: 2kg / 4.5 lbs

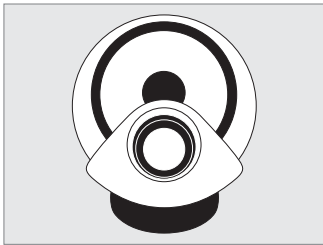


*Effect Wheel Varies.



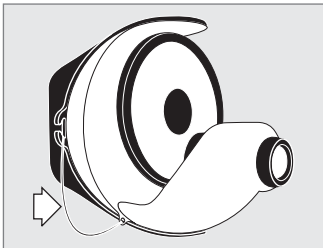
Getting Started

Mounting the Projector



The projector can be mounted using the provided table stand (foam ring) or wall mount.

The wall mount should be screwed to a wall in a vertical position so that it supports the bottom and top of the projector. Fixtures and fittings are provided.



Note:

When wall mounting, the safety cord should be fitted to the projector. To do this, attach the spring clip on the safety cord onto the side of the projector as per the image left.



Inserting the Effect Wheel



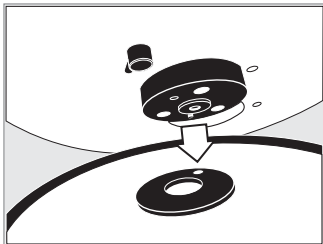
The [OPTI] Aura has been designed to accommodate 4" and 6" effect wheels. For 6" effect wheels the slide on the left of the magnetic adaptor should be at the top as per the image left.

Note:

For this projector Optikinetics recommends selected wheels, these can be found at:

www.optikinetics.co.uk/product/opti-aura-led/

For Magnetic Effect Wheels



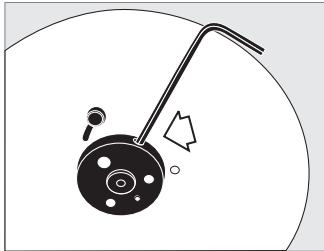
Position the magnetic wheel onto the magnetic adaptor on the projector.

To remove the wheel simply lift it off.



Bossed Push On Effect Wheels

For this projector Optikinetics recommends that customers use magnetic wheels. The [OPTI] Aura does also allow the use of bossed push on wheels. To use these wheels you will be required to remove the magnetic adapter from the projector. To do this, use the small allen key provided and place this in the hole on top of the magnetic adapter. Twist the allen key counter-clockwise and the adapter will loosen and detach from the projector.

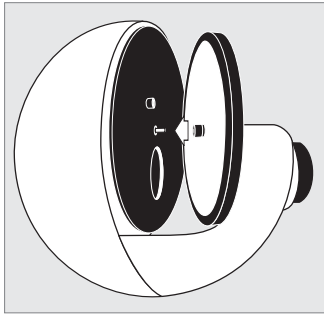


Note:

You may have to turn on the projector to move the rotator. The hole on the top of the magnetic adaptor must face the top of the projector.

To reattach the magnetic adapter, make sure that the flat of the shaft is facing the top of the projector. Place the magnetic adaptor onto the shaft and twist the allen key clockwise in the hole on the magnetic adaptor. The adaptor will subsequently tighten and attach to the projector.

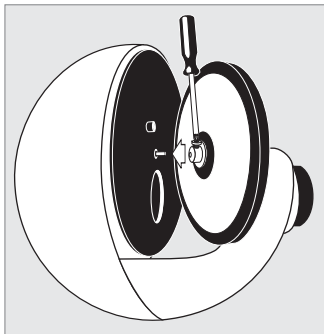




To attach plastic bossed push-on effect wheels, simply push the wheels onto the shaft of the wheel rotator as per the image left.

Note:

A slight twist when attaching the plastic bossed push-on effect wheel will help.



To attach glass bossed effect wheels such as liquid wheels, tighten the cross headed screw on the shaft of the wheel rotator as per the image left.

Note:

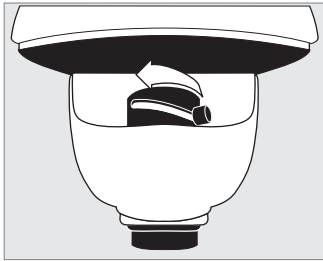
The screw needs to be aligned to the flat side of the shaft.

To detach a bossed push-on wheel, unscrew the wheel if need be and make sure the wheel is vertical and straight. Then use both hands to pull the wheel off the shaft.



Focussing the Image

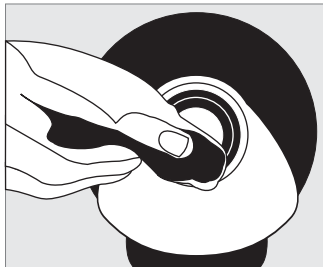
The [OPTI] Aura projector uses the same projection lens as Optikinetics' larger projectors [OPTI] 100 LED, [OPTI] Solar 250 LED and [OPTI] Solar Sensory LED. This means that the quality of the image will be the same as those in any sensory room.



To focus the projected effect, twist the slide on the lens forward and backwards until your desired focus is achieved.

The [OPTI] Aura projects a moving image of any size, however it is recommended that the maximum image projected is 4m/13" in diameter. An image can be projected onto any medium. For best results, use the projector in a dark environment.

Cleaning the Focussing Lens

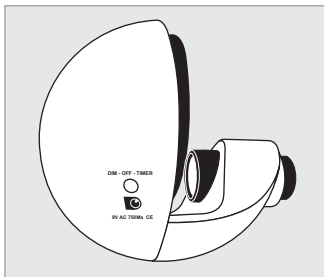


Use a soft tissue or lens cloth with a little methylated spirit or pure alcohol.



Operating the Projector

Switching On/Switching Off



To turn the projector on simply connect the power supply cable to the inlet socket on the right hand side of the projector. The projector will turn on as you power up the projector.

If you leave the projector on standby, the next time you turn the projector on without the app, press the 'DIM - OFF - TIMER' button above the inlet socket.

To turn the projector off without the app, press and hold the 'DIM - OFF - TIMER' button until the light turns off.



Dimming the Image

The projector has a bright dimmable light that is perfect in a bedroom.

To dim the image without the app, press and hold down the 'DIM - OFF - TIMER' button until you reach your desired light output level.

Note:

It may take up to 15 minutes for liquid wheels to start to work as they contain oil that will flow freely once heated. This heat will come from the projector.

Using the Timer

Utilising the timer is ideal for those who want to automatically turn the projector off after a certain time unsupervised.

Turn on the projector and wait 10 seconds. To start the timer double click the 'DIM - OFF - TIMER' button. To indicate the timer starting, the projected light will flicker. The timer automatically sets to 30 minutes, dims down then turns off. The timer settings can be varied and set to up to 60 minutes by using the projectors app.




Using the App

The 'Opti Aura' App has been created free of charge to allow users to control the [OPTI] Aura projector remotely. The app is available on IOS and Android platforms and can be downloaded from the App Store or by Google Play. Alternatively you can visit our website www.optikinetics.co.uk

Aura Configuration

The [OPTI] Aura Projector should be configured to be part of your home network. This configuration process uses the [OPTI] Aura's own built-in WiFi hotspot and only needs to be done once.

1. Ensure the [OPTI] Aura is switched on.
2. Using the networking app  on your mobile device, connect to the projector's Wi-Fi hotspot. The SSID (the name of the network) for any [OPTI] Aura projector will start with AURA and be followed by numbers & letters. For example: AURA907C4B (please note that on iOS, auto-join and auto-login features need to be turned off)
3. Open the 'Opti Aura' App on the same device.
4. Click on 'Discover' page of the App. Wait until the projector's I.P address appears on one of the buttons (this may take a little time), then click on this I.P address button to select this projector.
5. The mobile device is now connected to the [OPTI] Aura.
6. Click on the configure page of the App.
7. Insert the SSID and Password of your home wireless router. This information is usually written on a label on the router.
8. Press the Update button. This then transfers the connection of the [OPTI] Aura to your home network.
9. Close the App.
10. Re-connect your mobile device to your normal home network.

If there is no home network, it is possible to directly control the [OPTI] Aura via its own Wi-Fi hotspot. Just follow the instructions above, skipping steps 6 to 10.



Using the App to control the Aura

To control the projector using the 'Opti Aura' App, click on the 'control' page of the app.

Turn on/Turn Off

To turn the projector on, move the slider to the right towards full brightness. To turn the projector off, move the slider to the left.

Dimmer

The brightness of the projector can be adjusted using the slider. For full brightness move the slider to the right.

Timer

The timer settings can be varied and set to up to 60 minutes. To set the timer using the app, simply select the button with your desired time. To indicate that the button has been pressed, the selected button will turn green.

Note:

It is possible to control 6 different [OPTI] Aura projectors with the same app.



F.A.Q

What do I do if the 'Opti Aura' App is not responding?

If the app is freezing or is not working correctly, force the app to close. Check that the web enabled device is fully charged before restarting the app. If the app still does not work, reset the [OPTI] Aura projector to factory settings.

How do I reset the [OPTI] Aura projector to factory settings?

1. Turn off the projector at the electrical outlet.
2. Press and hold the "DIM - OFF - TIMER' button above the inlet socket. Whilst keeping hold of this button, turn the projector back on at the mains.
3. Once the projector has been turned on at the electrical outlet, continue to hold the "DIM - OFF - TIMER' button until the projector starts flashing.
4. When the projectors starts flashing, release the "DIM - OFF - TIMER' button.

How do I change my home network so I can use the Wi-Fi from the [OPTI] Aura projector?

Reset the projector back to factory settings and connect to the projectors wireless network.

If the app still does not work, reset the [OPTI] Aura projector to factory settings and disable and enable Wi-Fi on the mobile device.



Important Safety Instructions

When using your projection equipment basic safety precautions should be followed:

- Do not attempt to service the projector unless you are qualified and working under the direction of the manufacturer.
- Do not operate the appliance with a damaged cord, or if the appliance has been dropped, or damaged, until it has been examined by a qualified engineer.
- Position the power supply so that it will not be tripped over, pulled or come into contact with hot surfaces.
- If an extension cord is necessary, a cord with a current rating at least equal to that of the appliance should be used. Cords rated for less amperage than the appliance may overheat.
- Always unplug appliance from electrical outlet before cleaning and servicing and when not in use.
- Never pull cord to remove plug from outlet. Grasp plug and pull to disconnect.
- To reduce the risk of electric shock – do not dismantle this appliance.
- Never use the equipment in damp or wet conditions. Avoid excessive heat, humidity, dust and vibration.

This equipment is for indoor use in moderate climates only.

All effect wheels should be stored in a dry, warm environment.

Always use the adaptor supplied suitable for your country.



Additional Accessories

The [OPTI] Aura has been manufactured by Optikinetics Ltd. Formed in 1970, Optikinetics is the leading innovators of effects lighting and has a plethora of products suitable for any occasion.



Each [OPTI] Aura projector comes with one 6" effect wheel. There are over 200 effects wheels to choose from, additional wheels are available to purchase separately. To view our extensive range, please visit www.optikinetics.co.uk/product-category/effects/effect-wheels/

Note:

On this projector some 6" wheels, in particular the liquid wheels may look different to when used on another [OPTI] projector.

Guarantee

Optikinetics Ltd guarantees this product for 1 year from the date of purchase from all mechanical, electrical or assembly defect. Within this 1-year period any fault will be repaired or remedied free of charge.



To extend the warranty free of charge to 3 years, please register your [OPTI] Aura LED Projector by visiting www.optikinetics.co.uk/guarantee-form

Note:

The guarantee is void if the projector has been opened or if a repair has been attempted by anyone other than an Optikinetics authorised repairer.

Date _____

Tested
Signature _____



Optikinetics Ltd

38 Cromwell Road
Luton
Bedfordshire
LU3 1DN
England

+44 (0) 1582 411 413
UKAdmin@optikinetics.co.uk

www.optikinetics.co.uk