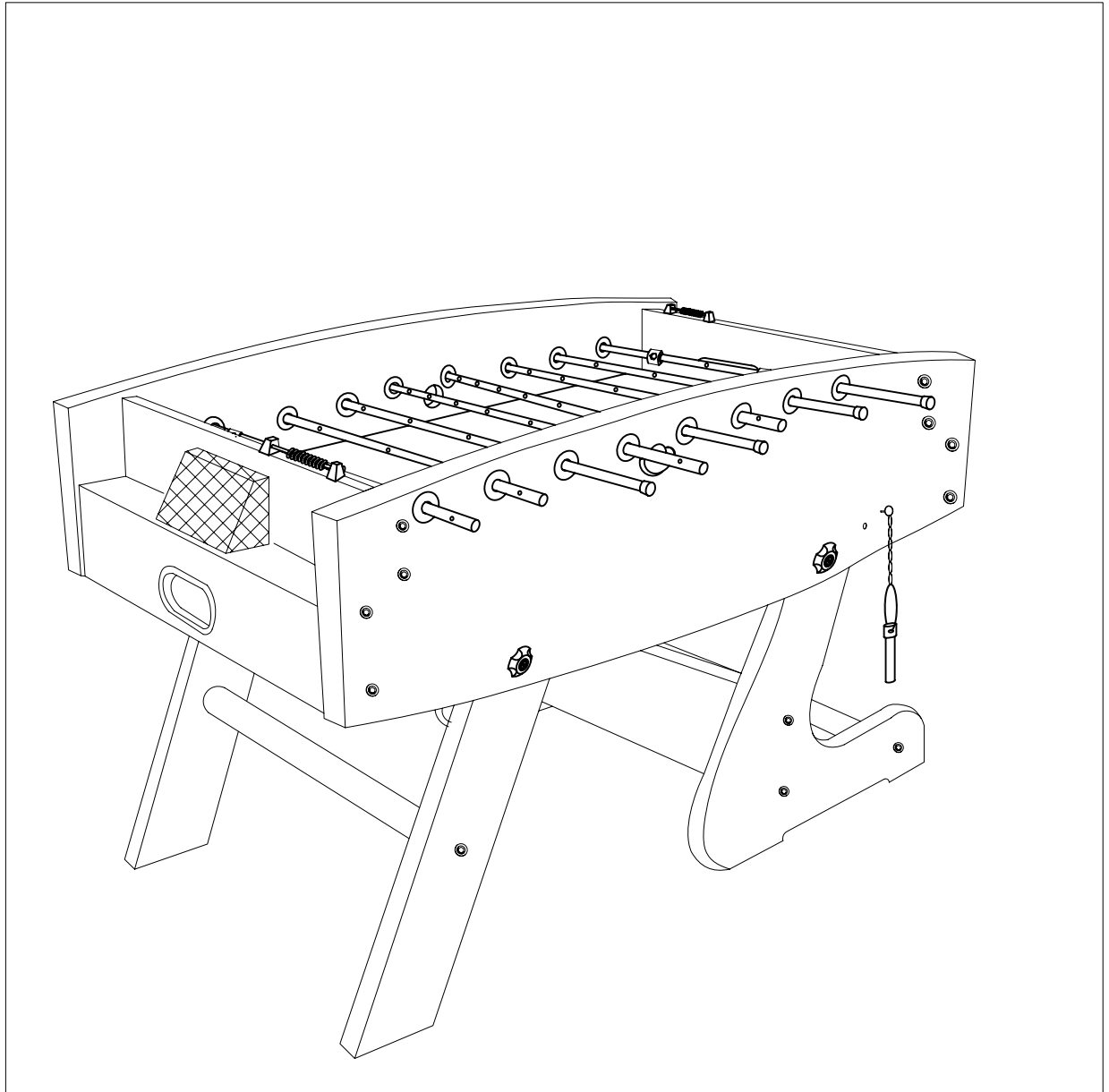
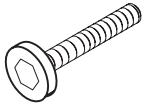





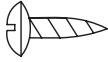
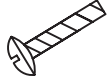


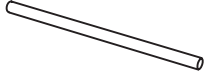
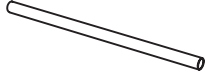


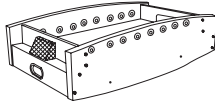
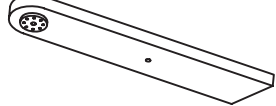
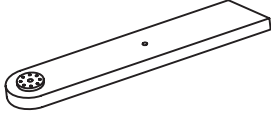
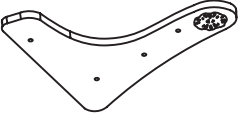
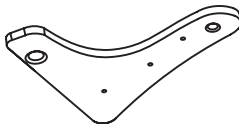
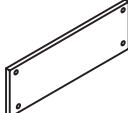
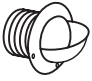

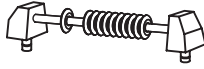
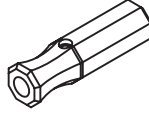



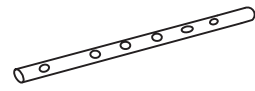
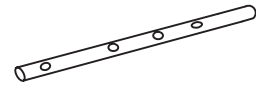
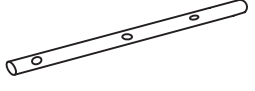
# SOCCKER TABLE "COMFORT"



Item-No.: AUT-5250

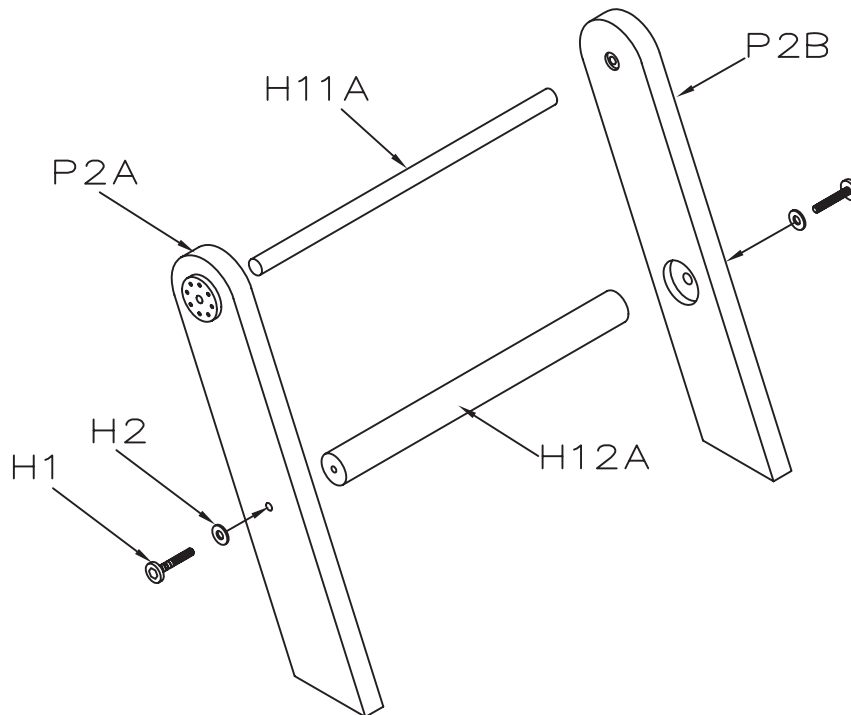
# Parts List

<p>H1</p>  <p>5/16" x 2" Bolt 4 pieces</p>	<p>H2</p>  <p>5/16" Washer 4 pieces</p>	<p>H3</p>  <p>1/4" x 2-1/2" Bolt 4 pieces</p>	<p>H4</p>  <p>1/4" Washer 4 pieces</p>
<p>H5</p>  <p>5/16" Handle Nuts 2 pieces</p>	<p>H6</p>  <p>5/16" Washer 2 pieces</p>	<p>H7</p>  <p>8# x 5/8" screw 2 pieces</p>	<p>H8</p>  <p>T5 x 15mm Bolt 8 pieces</p>
<p>H9</p>  <p>5/16" x 797mm bolt 2 pieces</p>	<p>H10</p>  <p>Iron Pin 2 pieces</p>	<p>H11A</p>  <p>1" Leg Support Bar A 1 piece</p>	<p>H11B</p>  <p>1" Leg Support Bar B 1 piece</p>
<p>H12A</p>  <p>2" Leg Support Bar A 1 piece</p>	<p>H12B</p>  <p>2" Leg Support Bar B 1 piece</p>	<p>P1</p>  <p>Main frame 1 piece</p>	<p>P2A</p>  <p>Leg A 1 piece</p>
<p>P2B</p>  <p>Leg B 1 piece</p>	<p>P3A</p>  <p>Leg A 1 piece</p>	<p>P3B</p>  <p>Leg B 1 piece</p>	<p>P4</p>  <p>Leg panel 1 piece</p>
<p>P5A</p>  <p>Ball entry cup A 2 pieces</p>	<p>P5B</p>  <p>Ball entry cup B 2 pieces</p>	<p>P6</p>  <p>Scoring system 2 pieces</p>	<p>P7</p>  <p>Wooden Handle 8 pieces</p>

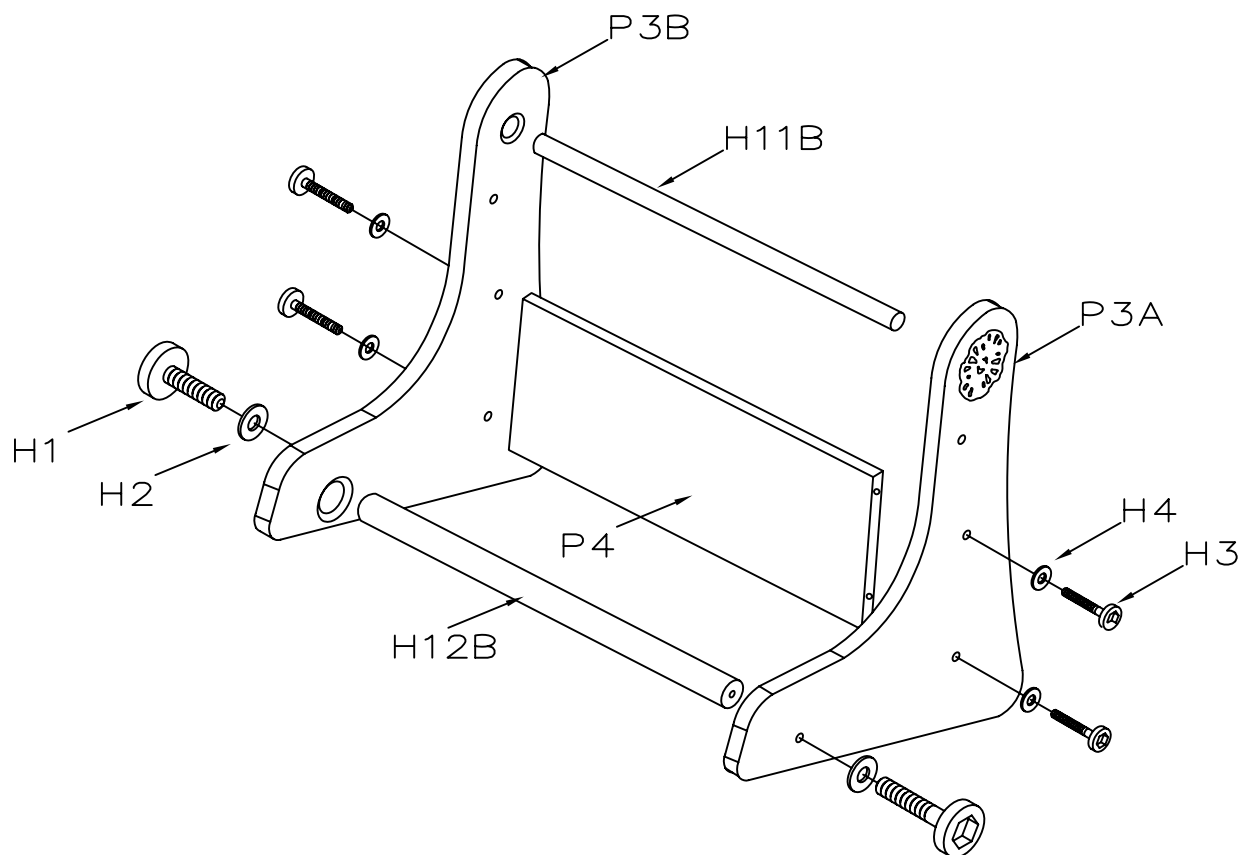
<p>P8</p>  <p>Rod End Cap 8 pieces</p>	<p>C1</p>  <p>Five Player Rod 2 pieces</p>	<p>C2</p>  <p>Three Player Rod 4 pieces</p>	<p>C3</p>  <p>Two Player Rod 2 pieces</p>
---	---	---	--

# Assembly instruction

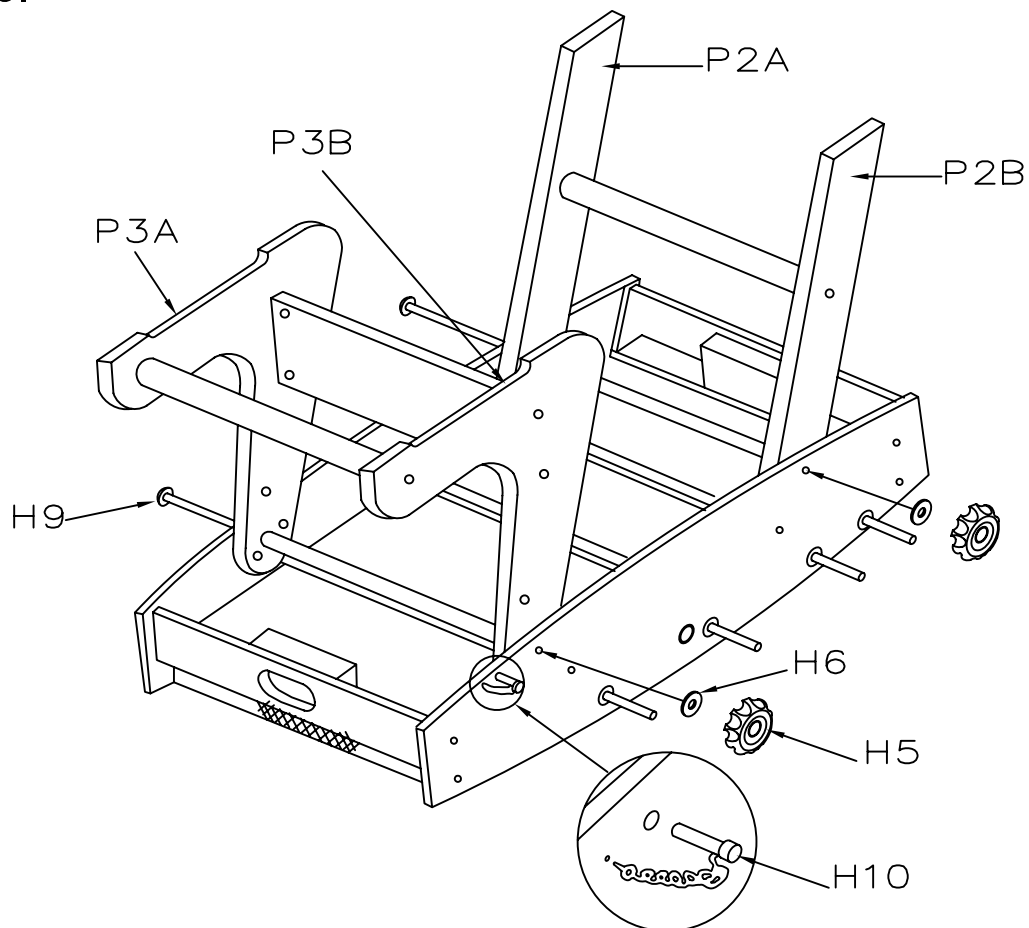
Step 1:



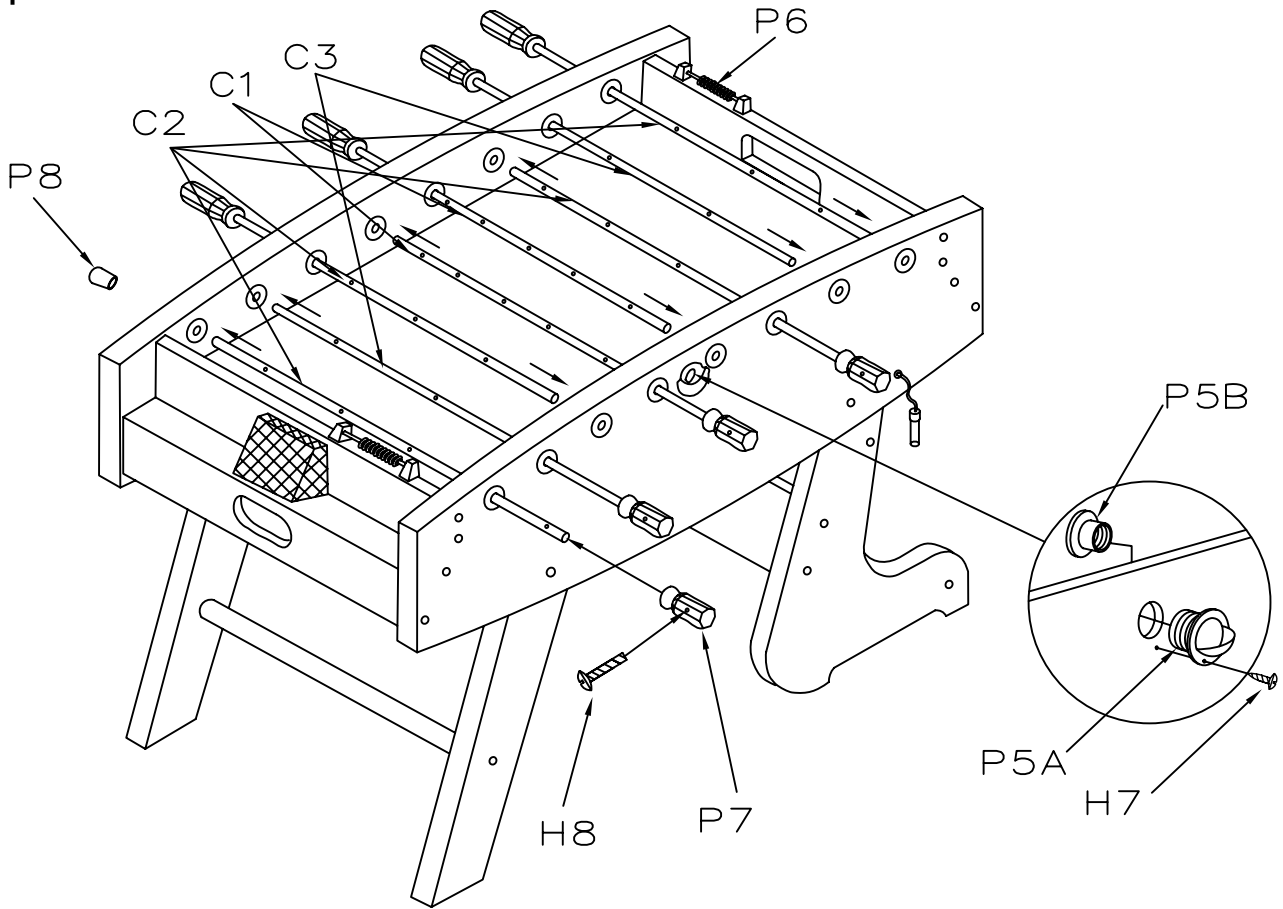
## Step 2:



## Step 3:



Step 4:



Step 5:

