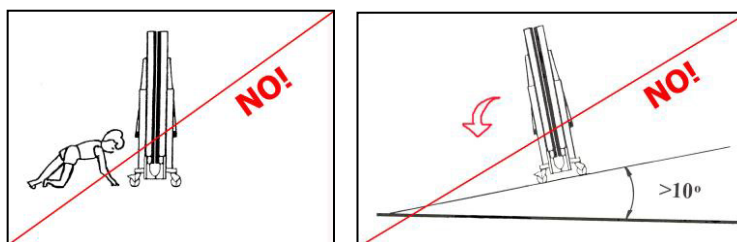
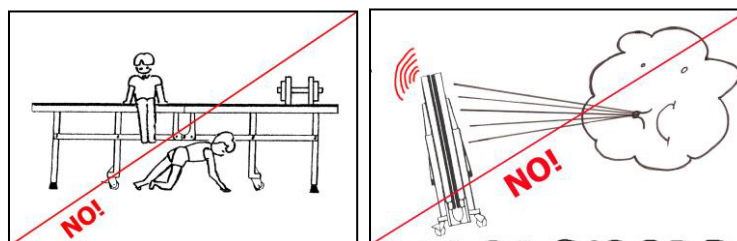
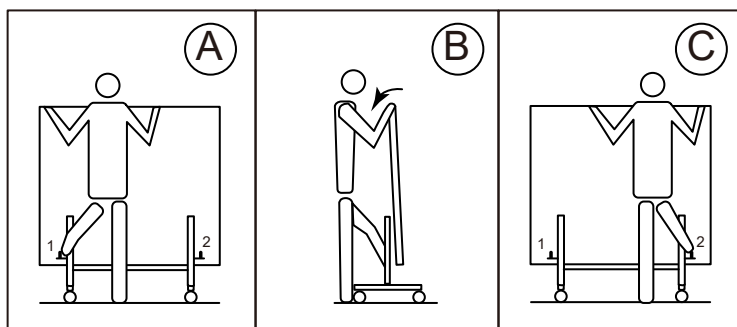


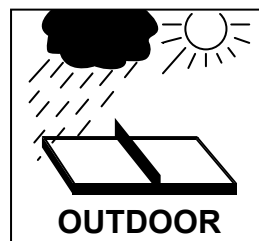
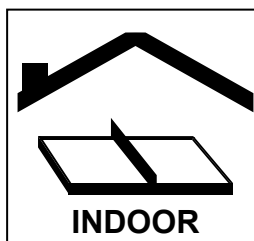
# JOOLA®

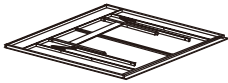


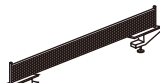
Art. 11134 JOOLA RALLY OUTDOOR TABLE TENNIS TABLE

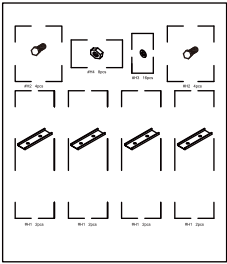

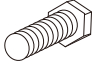


03.03.2021



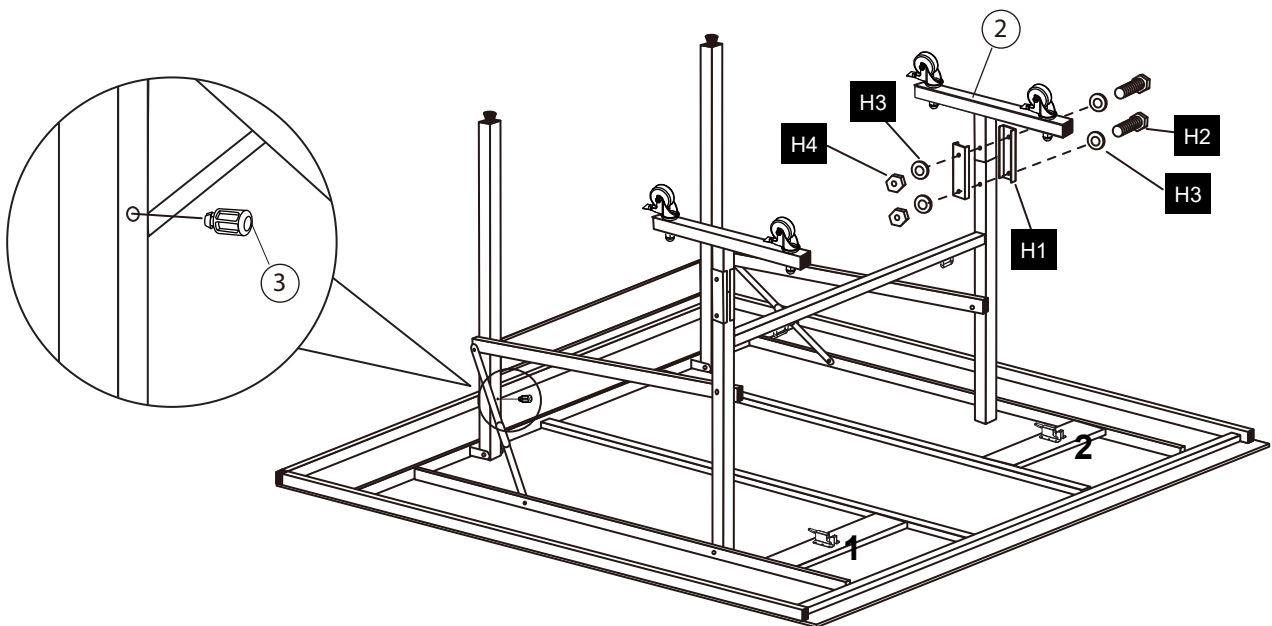
EN 14468-1



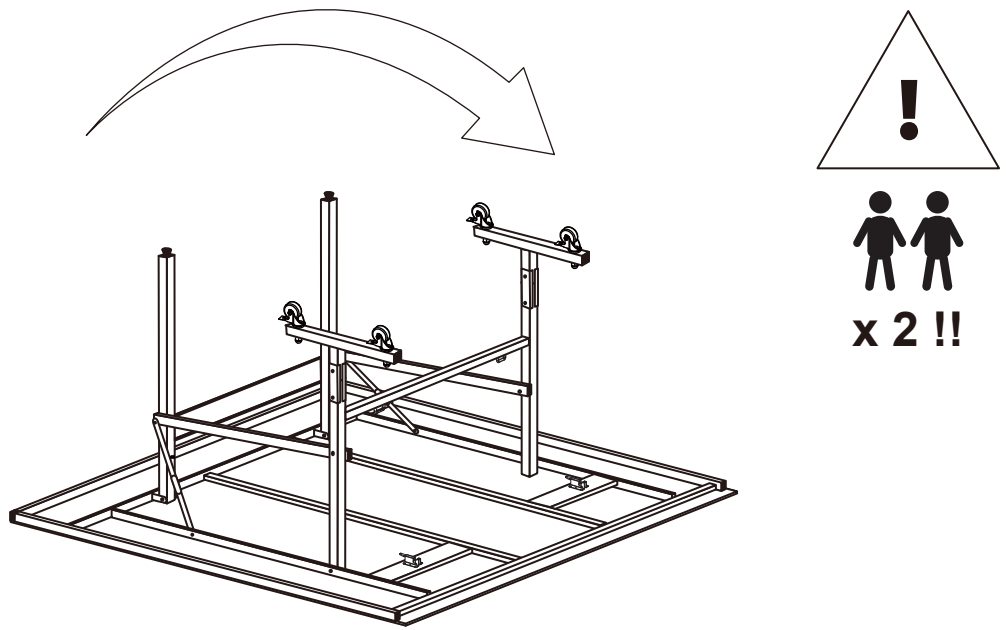
|                                                                                                                        |                                                                                                                                     |                                                                                                                                     |                                                                                                                                       |
|------------------------------------------------------------------------------------------------------------------------|-------------------------------------------------------------------------------------------------------------------------------------|-------------------------------------------------------------------------------------------------------------------------------------|---------------------------------------------------------------------------------------------------------------------------------------|
| <p><b>1</b></p>  <p>x2</p> <p>N/A</p> | <p><b>2</b></p>  <p>x4</p> <p>R-0-11560-01-128</p> | <p><b>3</b></p>  <p>x4</p> <p>R-0-11200-02-128</p> | <p><b>4</b></p>  <p>x1</p> <p>R-0-11134-01-128</p> |
|------------------------------------------------------------------------------------------------------------------------|-------------------------------------------------------------------------------------------------------------------------------------|-------------------------------------------------------------------------------------------------------------------------------------|---------------------------------------------------------------------------------------------------------------------------------------|

|                                                                                                                                        |                                                                                                                                      |                                                                                                                                                         |
|----------------------------------------------------------------------------------------------------------------------------------------|--------------------------------------------------------------------------------------------------------------------------------------|---------------------------------------------------------------------------------------------------------------------------------------------------------|
|  <p>H1+H2+H3+H4</p> <p>x1</p> <p>R-0-11134-40-128</p> | <p><b>H1</b></p>  <p>x8</p> <p>R-0-11560-41-128</p> | <p><b>H2</b></p>  <p>M8 X 45mm</p> <p>x8</p> <p>R-0-11200-42-128</p> |
|                                                                                                                                        | <p><b>H3</b></p>  <p>x16</p> <p>R-0-7889-42-128</p> | <p><b>H4</b></p>  <p>M8</p> <p>x8</p> <p>R-0-11200-44-128</p>        |

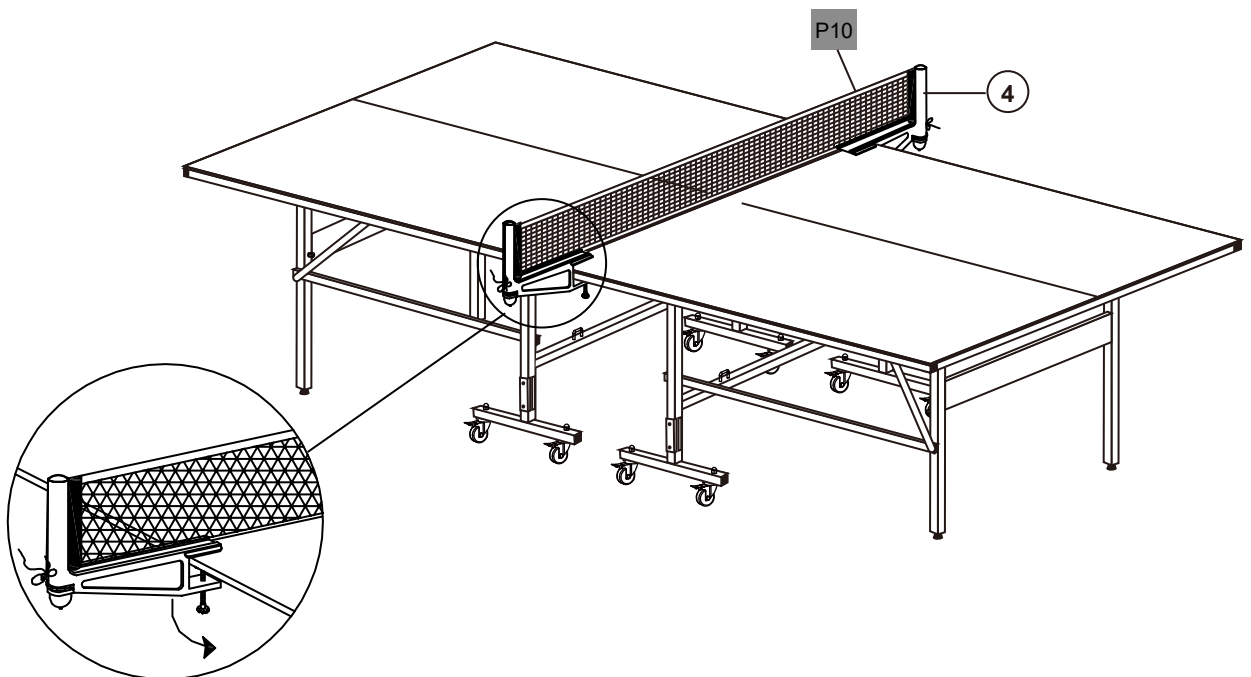
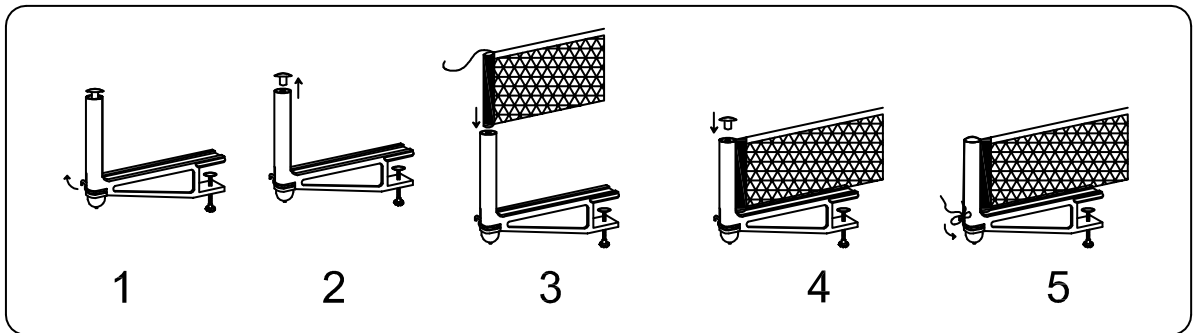
**FIG.1**



**FIG.2**



**FIG.3**



**FIG.4**

