

Mounting: POLLOPAS - caster stand - horizontally pivoting mirror-

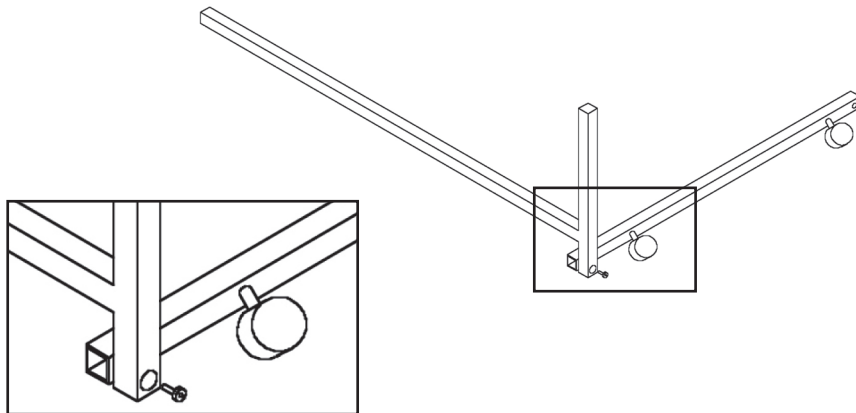
1. step:

You need:

- 1 x hollow square tube
- 2 x sidepieces, L- shaped, hollow square tube
- Allen key
- 2 x Allen head screws M8
- 2 x castors

Put the hollow square tube on the ground. Set the L-shaped sidepiece on it, the shorter part is down. Put the Allen head screw trough the big hole of the L-shaped sidepiece and screw the two tubes together. Repeat the procedure with the second L-shaped sidepiece.

Important: Screw the light hollow square tube on the shorter part of the L-shaped sidepiece and the heavy square tube on the end of the long side of the L-shaped sidepiece. Otherwise the caster stand may tilt over.

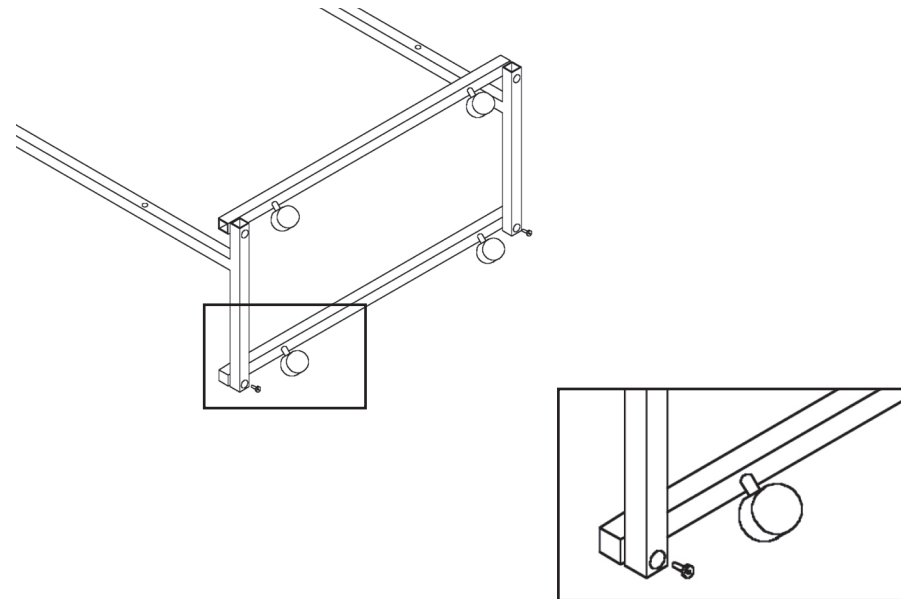


2. step:

You need:

- 1 x heavy square tube with screws and castors
- Allen key
- 2 x Allen head screws M8
- 2 x castors

Turn now the caster stand. Set the heavy square tube (pos. 2) with the below side on the long part of the L-shaped sidepieces (pos. 1). Take the screws out, put these screws through the big holes (pos. 1) and screw the pos. 1 and pos. 2 together.



Mounting: POLLOPAS - caster stand - horizontally pivoting mirror-

SECO SIGN GmbH

manufacturing LAB

Manufaktur für Kunststoffspiegel . Möbeldesign

3. step:

You need:

- 1 x POLLOPAS mirror
- 4 x spring-lock washers
- 2 x turning handles

Put on each lateral dowel of the mirror one spring-lock washer. Set the mirror in the caster stand and insert both dowels of the mirror through the holes of the L-shaped sidepieces. Put again one spring-lock washer on each dowel. Then screw the turning handles on the dowels.



The POLLOPAS mirror caster stand is now ready-made. We wish you a lot of pleasure with your new POLLOPAS mirror caster stand.

